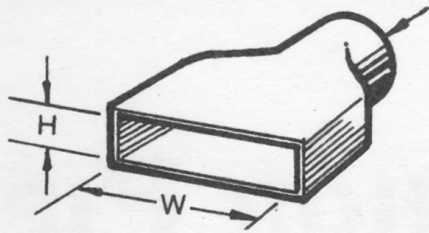


STRAIGHT ADAPTERS

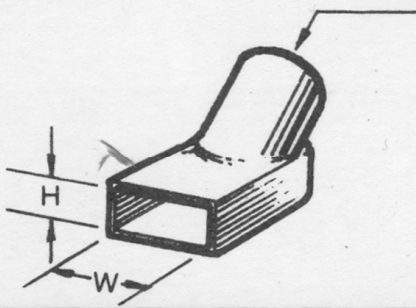


BUTTS UP TO
ROUND PIPE
USE PLAIN END
COUPLING TO
MAKE UP JOINT.

MODEL	SIZE (HxW)	ROUND PIPE EQUIVALENT
AD-6	3" x 5"	4"
AD-9	3" x 9"	5"
AD-12	3" x 12"	6"
AD-14	4" x 14"	8"
AD-16	4" x 16"	10"

ALL SIZES ARE I.D.

45° ADAPTERS

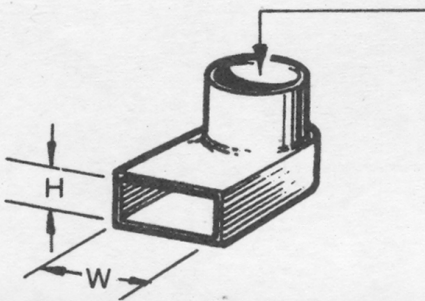


BUTTS UP TO
ROUND PIPE
USE PLAIN END
COUPLING TO
MAKE UP JOINT.

MODEL	SIZE (HxW)	ROUND PIPE EQUIVALENT
AD-456	3" x 5"	4"
AD-459	3" x 9"	5"
AD-4512	3" x 12"	6"
AD-4514	4" x 14"	8"

ALL SIZES ARE I.D.

90° ADAPTERS

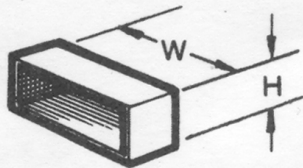


BUTTS UP TO
ROUND PIPE
USE PLAIN END
COUPLING TO
MAKE UP JOINT.

MODEL	SIZE (HxW)	ROUND PIPE EQUIVALENT
AD-906	3" x 5"	4"
AD-909	3" x 9"	5"
AD-9012	3" x 12"	6"
AD-9014	4" x 14"	8"

ALL SIZES ARE I.D.

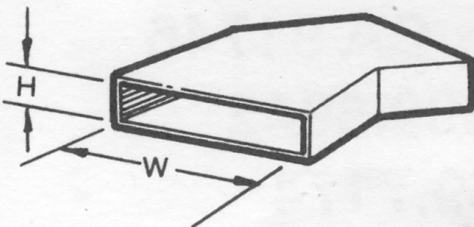
COUPLINGS



MODEL	SIZE (HxW)
C-6	3" x 5"
C-9	3" x 9"
C-12	3" x 12"
C-14	4" x 14"
C-16	4" x 16"

ALL SIZES ARE I.D.

45° COUPLINGS



MODEL	SIZE (HxW)
C-456	3" x 5"
C-459	3" x 9"
C-4512	3" x 12"
C-4514	4" x 14"
C-4516	4" x 16"

ALL SIZES ARE I.D.